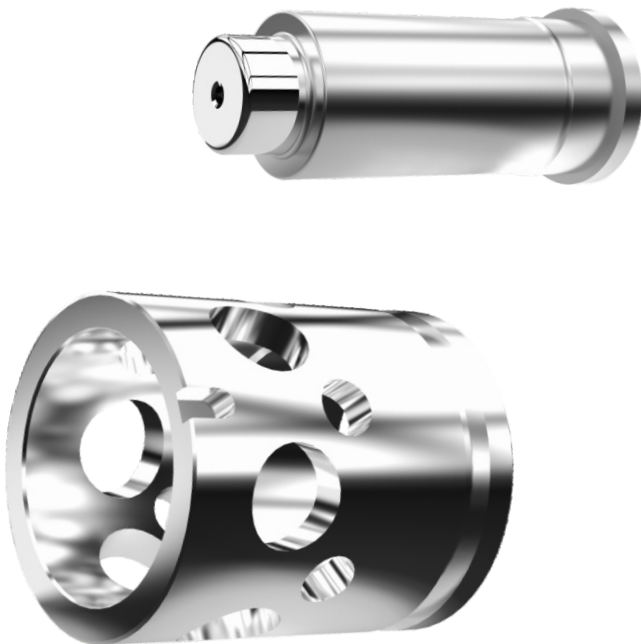
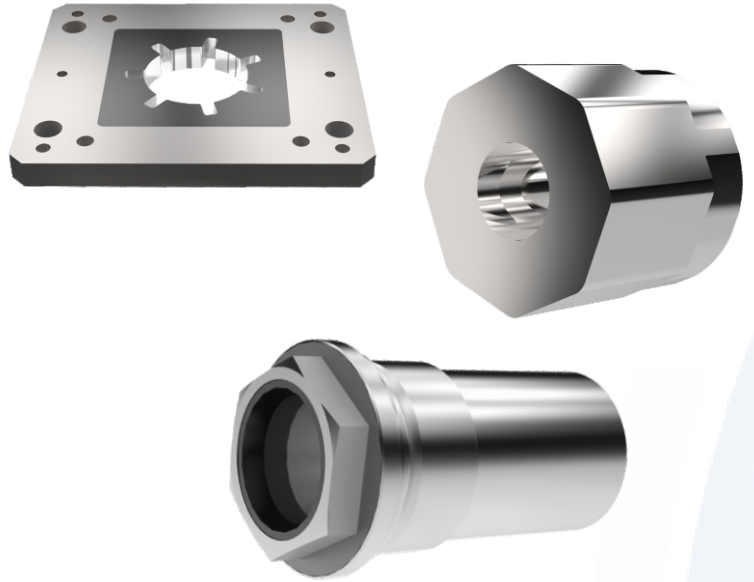


TOOLING FOR SPECIAL COMPONENT

- » We are also affianced in producing many different products that are especially required in Automobile Industries, Oil & Gas Industries, Cigarette Industries, Electrical Industries, etc.



- » We also supply ground/unground rods suitable for various application carbide flats/blocks and other special components can also be manufactured as per customers requirements.